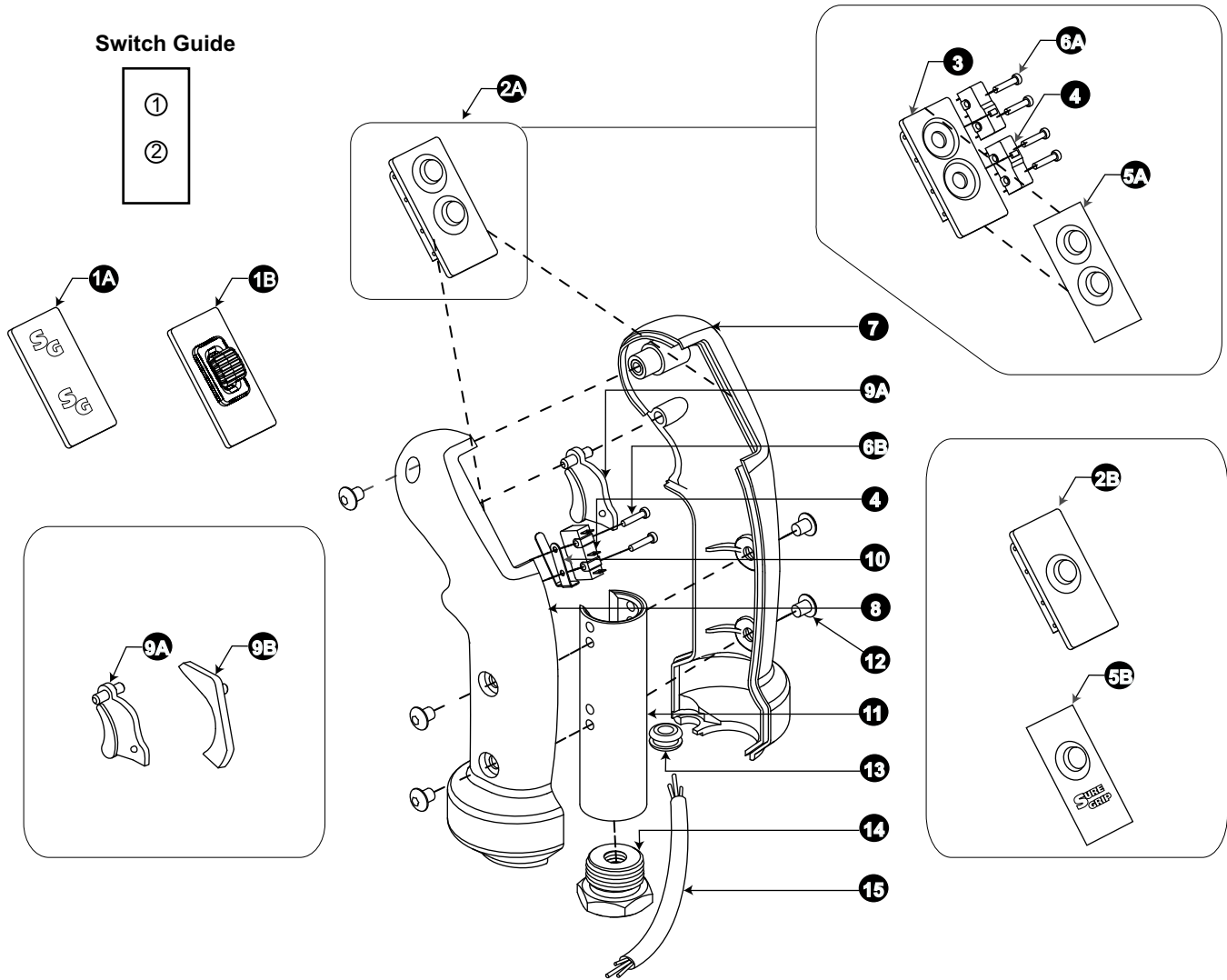


S Handle Parts List

#4-1413 McGill Road Kamloops B.C. Canada V2C 6K7
 Fax: (250) 374-1099 Toll Free: 1-800-831-2278
 Ph: (250) 374-2278 www.suregripcontrols.com

SURE GRIP
 CONTROLS INC.



FLG	PART#	DESCRIPTION	FLG	PART#	DESCRIPTION
1A	S-FP-00	"S" Blank Faceplate	14	BU-00	Adapter Bushing - 1/4" Hole (See Page 5)
1B	S-FP-E	"S" Series Single Slider Module	15	S1-M2-W	"S" Handle Wire Harness
2A	S-FP-A2	"S" 2 Function Switch Pack Assy.			
2B	S-FP-A1	"S" 1 Function Switch Pack Assy.			
3	S-FP-01	"S" Empty Faceplate			
4	SW-00	Handle Switch, L/S			
5A	S-ME-A2	"S" Series 2 Button Overlay			
5B	S-ME-A1	"S" Series 1 Button Overlay			
6A	SC-03	2 x 7/16" Tapping Screw - Pan Head (Faceplate)			
6B	SC-21	2 x 9/16" Tapping Screw - Pan Head (Trigger)			
7	S-HL-02-G	"S" Series Handle Case Right - Grey (Black)			
8	S-HL-01-G	"S" Series Handle Case Left - Grey (Black)			
9A	S-TR-01	"S" Series Single Trigger			
9B	S-TR-00	"S" Trigger Insert			
10	LS-00	Leaf Spring for Trigger			
11	PN-03	Mounting Pin "L/S"			
12	SC-02SS	10-32 x 3/8" Capscrew - Button Head			
13	GR-01	3/8" x 1/4" Grommet			

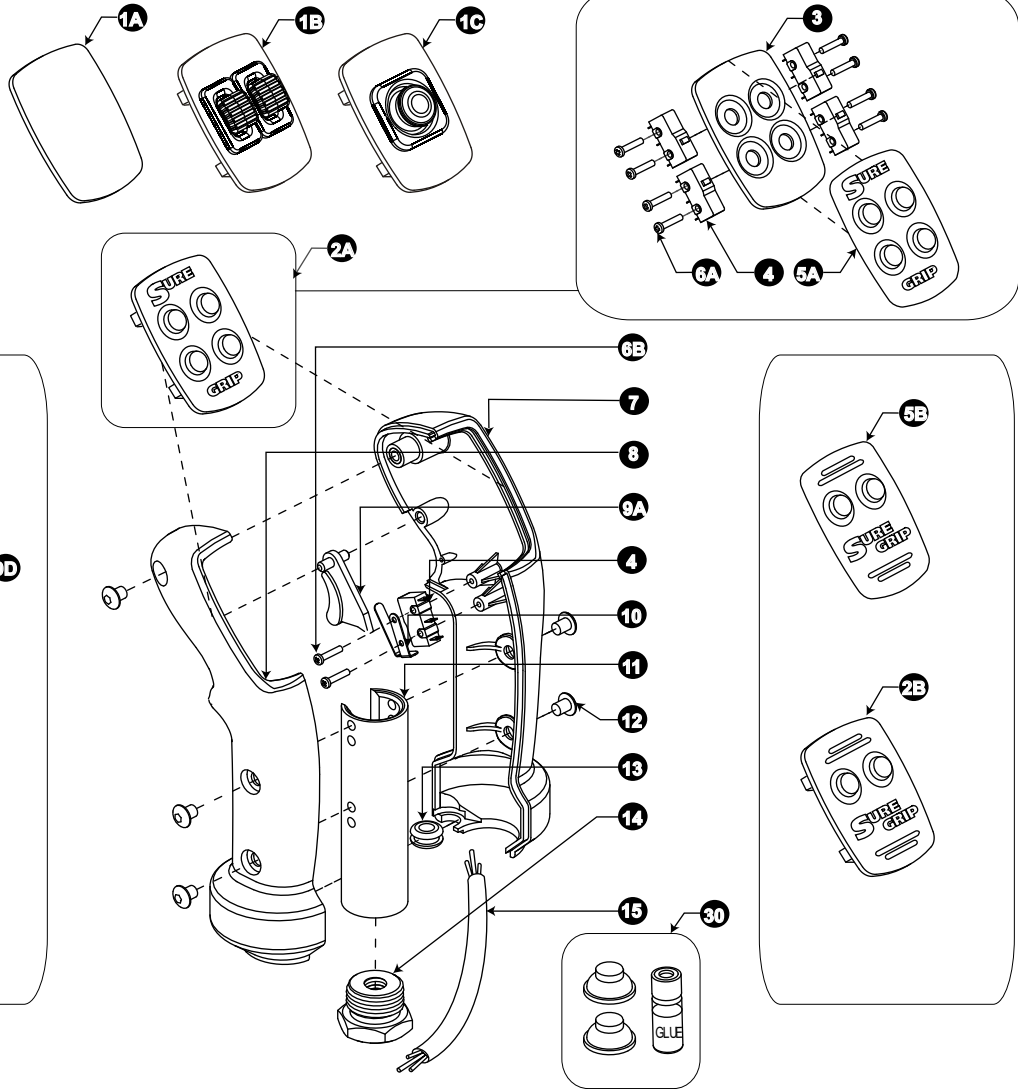
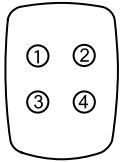
C Handle Parts List

#4-1413 McGill Road
 Kamloops B.C. Canada V2C 6K7
 Ph: (250) 374-2278

Fax: (250) 374-1099
 Toll Free: 1-800-831-2278
 www.suregripcontrols.com

SURE GRIP
 CONTROLS INC.

Switch Guide



FLG	PART#	DESCRIPTION	FLG	PART#	DESCRIPTION
1A	C-FP-00	"C" Blank Faceplate	12	SC-02SS	10-32 x 3/8" Capscrew - Button Head
1B	C-FP-E	"C" Handle Dual Slider Module (Call Factory)	13	GR-01	3/8" x 1/4" Grommet
1C	C-FP-E-J	"C" Handle Dual Axis Micro Joystick (Call Factory)	14	BU-00	Adapter Bushing - 1/4" Hole (See Page 5)
2A	C-FP-A4	"C" Series 4 Button Faceplate Assy.	15	C1-M2-W	"C" Handle 2 Button Faceplate Wire Harness
2B	C-FP-A2	"C" Series 2 Button Faceplate Assy.		C1-M4-W	"C" Handle 4 Button Faceplate Wire Harness
3	C-FP-01	"C" Series Empty Faceplate	30	FB-VV-A	Flex Button Repair Kit: 2 VV/V2 Modules
4	SW-00	Handle Switch, L/S			
5A	C-ME-A4	"C" Series 4 Button Overlay			
5B	C-ME-A2	"C" Series 2 Button Overlay			
6A	SC-03	2 x 7/16" Tapping Screw - Pan Head (Faceplate)			
6B	SC-21	2 x 9/16" Tapping Screw - Pan Head (Trigger)			
7	C-HL-02-G	"C" Series Handle Case Right - Grey (Black)			
8	C-HL-01-G	"C" Series Handle Case Left - Grey (Black)			
9A	C-TR-01	"C" Series Single Trigger			
9B	C-TR-00	Trigger Insert			
9C	TR-P1-A	Proportional Trigger/Spring Assy.			
9D	TR-D1-G	Deadman Trigger Lever - Grey (Black)			
10	LS-00	Leaf Spring for Trigger			
11	PN-03	Mounting Pin "L/S"			

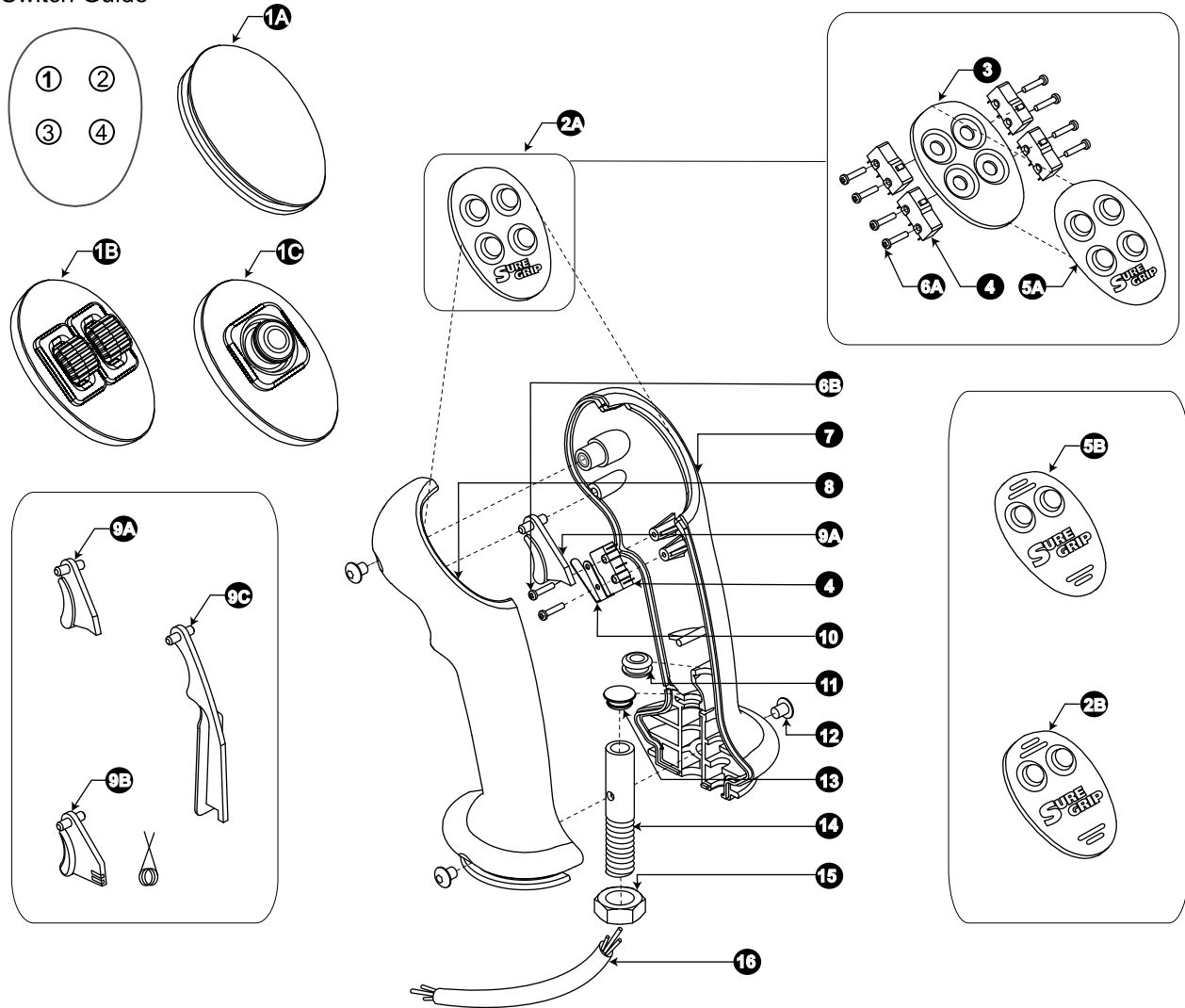
J Handle Parts List

#4-1413 McGill Road
 Kamloops B.C. Canada V2C 6K7
 Ph: (250) 374-2278

Fax: (250) 374-1099
 Toll Free: 1-800-831-2278
 www.suregripcontrols.com

SURE GRIP
 CONTROLS INC.

Switch Guide

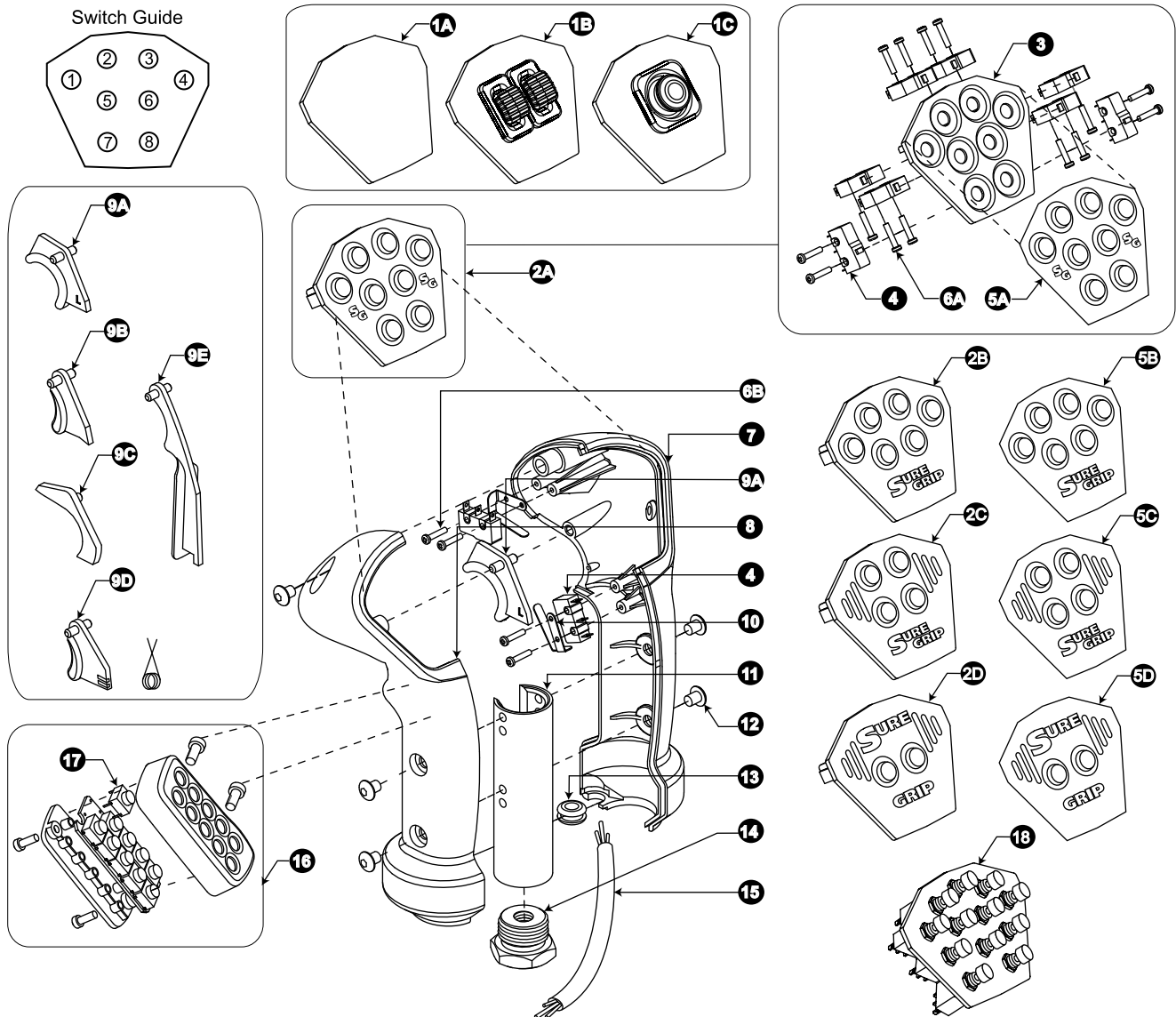


FLG	PART#	DESCRIPTION	FLG	PART#	DESCRIPTION
1A	J-FP-00	"J" Blank Faceplate	13	HP-01	3/8" Hole Plug
1B	J-FP-E	"J" Series Dual Slider Module	14	ST-08-125	"J" Series Handle Mounting Stud: 12mm x 1.25
1C	J-FP-E-J	"J" Series Dual Axis Micro Joystick		ST-08-175	"J" Series Handle Mounting Stud: 12mm x 1.75
2A	J-FP-A4	"J" Series 4 Button Faceplate Assy.		ST-08-14x2	"J" Series Handle Mounting Stud: 14mm x 2
2B	J-FP-A2	"J" Series 2 Button Faceplate Assy.	15	NT-05	12 x 1.25 mm Jam Nut
3	J-FP-01	"J" Series Empty Faceplate		NT-02	14 x 2.0 mm Jam Nut
4	SW-00	Handle Switch, L/S		NT-01	12 x 1.75 mm Jam Nut
5A	J-ME-A4	"J" Series 4 Button Overlay	16	J1-M2-W	"J" Handle 2 Button Faceplate Wire Harness
5B	J-ME-A2	"J" Series 2 Button Overlay		J1-M4-W	"J" Handle 4 Button Faceplate Wire Harness
6A	SC-03	2 x 7/16" Tapping Screw - Pan Head (Faceplate)			
6B	SC-21	2 x 9/16" Tapping Screw - Pan Head (Trigger)			
7	J-HL-R-G	"J" Series Handle Case Right - Grey (Black)			
8	J-HL-L-G	"J" Series Handle Case Left - Grey (Black)			
9A	C-TR-01	Single Trigger			
9B	TR-P1-A	Proportional Trigger/Spring Assy.			
9C	TR-D1-G	Deadman Trigger Lever - Grey (Black)			
10	LS-00	Leaf Spring for Trigger			
11	GR-01	3/8" x 1/4" Grommet			
12	SC-02SS	10-32 x 3/8" Capscrew - Button Head			

L Handle Parts List

#4-1413 McGill Road Fax: (250) 374-1099
 Kamloops B.C. Canada V2C 6K7 Toll Free: 1-800-831-2278
 Ph: (250) 374-2278 www.suregripcontrols.com

SURE GRIP
 CONTROLS INC.

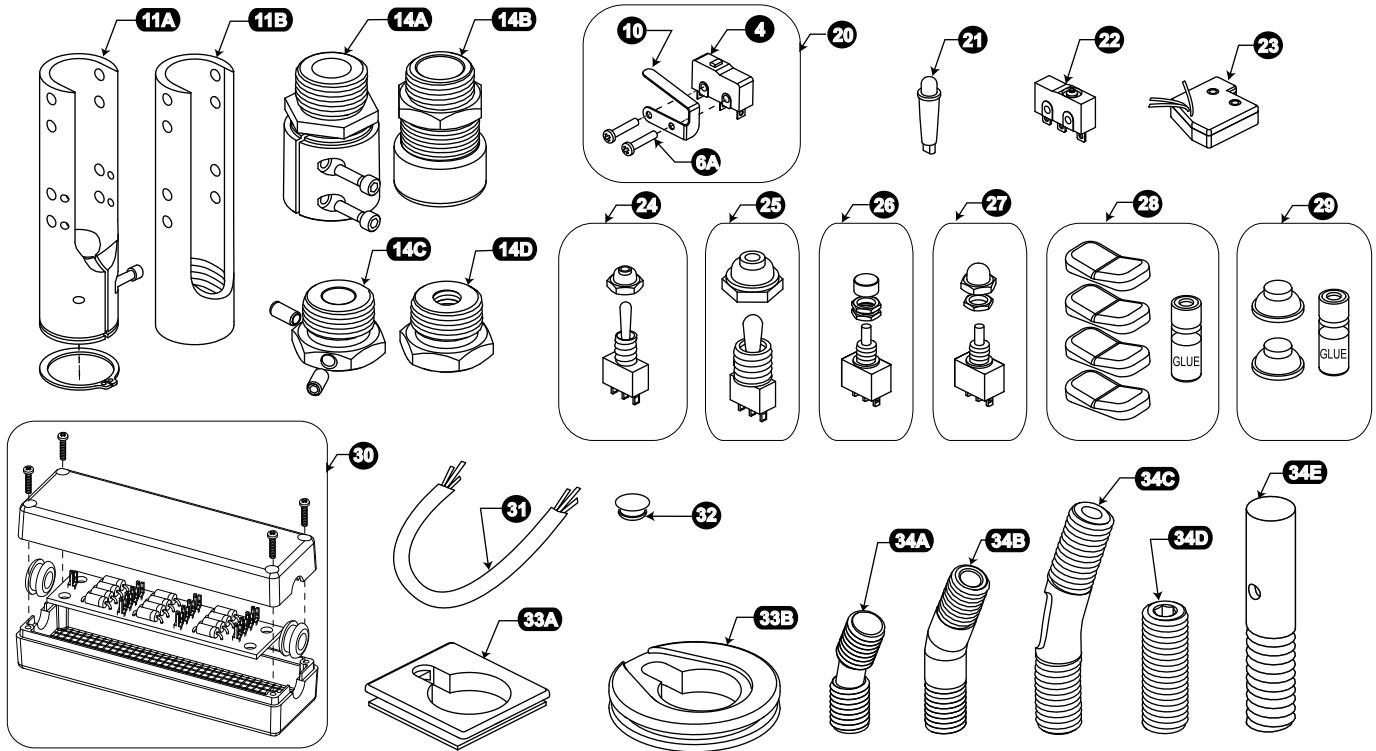


FLG	PART#	DESCRIPTION	FLG	PART#	DESCRIPTION
1A	L-FP-00	"L" Blank Faceplate	7 B	L-HLR-Kit-B	"L" Handle Case Upgrade Kit Assy. - Black(Grey)
1B	L-FP-E	"L" Series Dual Slider Module (Call Factory)	9A	L-TR-02	"L" Double Trigger
1C	L-FP-E-J	"L" Series Dual Axis Micro Joystick (Call Factory)	9B	L-TR-01	"L" Single Trigger
2A	L-FP-A8	"L" 8 Switch Pack Assy.	9C	L-TR-00	"L" Trigger Insert
2B	L-FP-A6	"L" 6 Switch Pack Assy.	9D	TR-P1-A	Proportional Trigger/Spring Assy.
2C	L-FP-A4	"L" 4 Switch Pack Assy.	9E	TR-D1-G	Deadman Trigger Lever - Grey (Black)
2D	L-FP-A2	"L" 2 Switch Pack Assy.	10	LS-00	Leaf Spring for Trigger
3	L-FP-01	"L" Series Empty Faceplate	11	PN-03	Mounting Pin "L/S"
4	SW-00	Handle Switch, L/S	12	SC-02SS	10-32 x 3/8" Capscrew - Button Head
5A	L-ME-A8	"L" 8 Button Overlay	13	GR-01	3/8" x 1/4" Grommet
5B	L-ME-A6	"L" 6 Button Overlay	14	BU-00	Adapter Bushing - 1/4" Hole (See Page 5)
5C	L-ME-A4	"L" 4 Button Overlay	15	L2-M2-W	"L" Handle 2 Button Faceplate Wire Harness
5D	L-ME-A2	"L" 2 Button Overlay		L2-M4-W	"L" Handle 4 Button Faceplate Wire Harness
6A	SC-03	2 x 7/16" Tapping Screw - Pan Head (Faceplate)		L2-M6-W	"L" Handle 6 Button Faceplate Wire Harness
6B	SC-21	2 x 9/16" Tapping Screw - Pan Head (Trigger)		L2-M8-W	"L" Handle 8 Button Faceplate Wire Harness
7	L-HL-R-G	"L" Handle Case Right - Grey (Black)	16	KP-10L1	Keypad 10 Button, (Fits Left Handle)
		(L-HL-02 Handle Case Right - Old Style)		KP-10R1	Keypad 10 button, (Fits Right Handle)
8	L-HL-L-G	"L" Handle Case Left - Grey (Black)	17	SW-07	Key Pad Switch
		(L-HL-01 Handle Case Left - Old Style)	18	L-FP-A-B12	12 button "L" series faceplate assembly

Accessories List

#4-1413 McGill Road Fax: (250) 374-1099
 Kamloops B.C. Canada V2C 6K7 Toll Free: 1-800-831-2278
 Ph: (250) 374-2278 www.suregripcontrols.com

SURE GRIP
 CONTROLS INC.



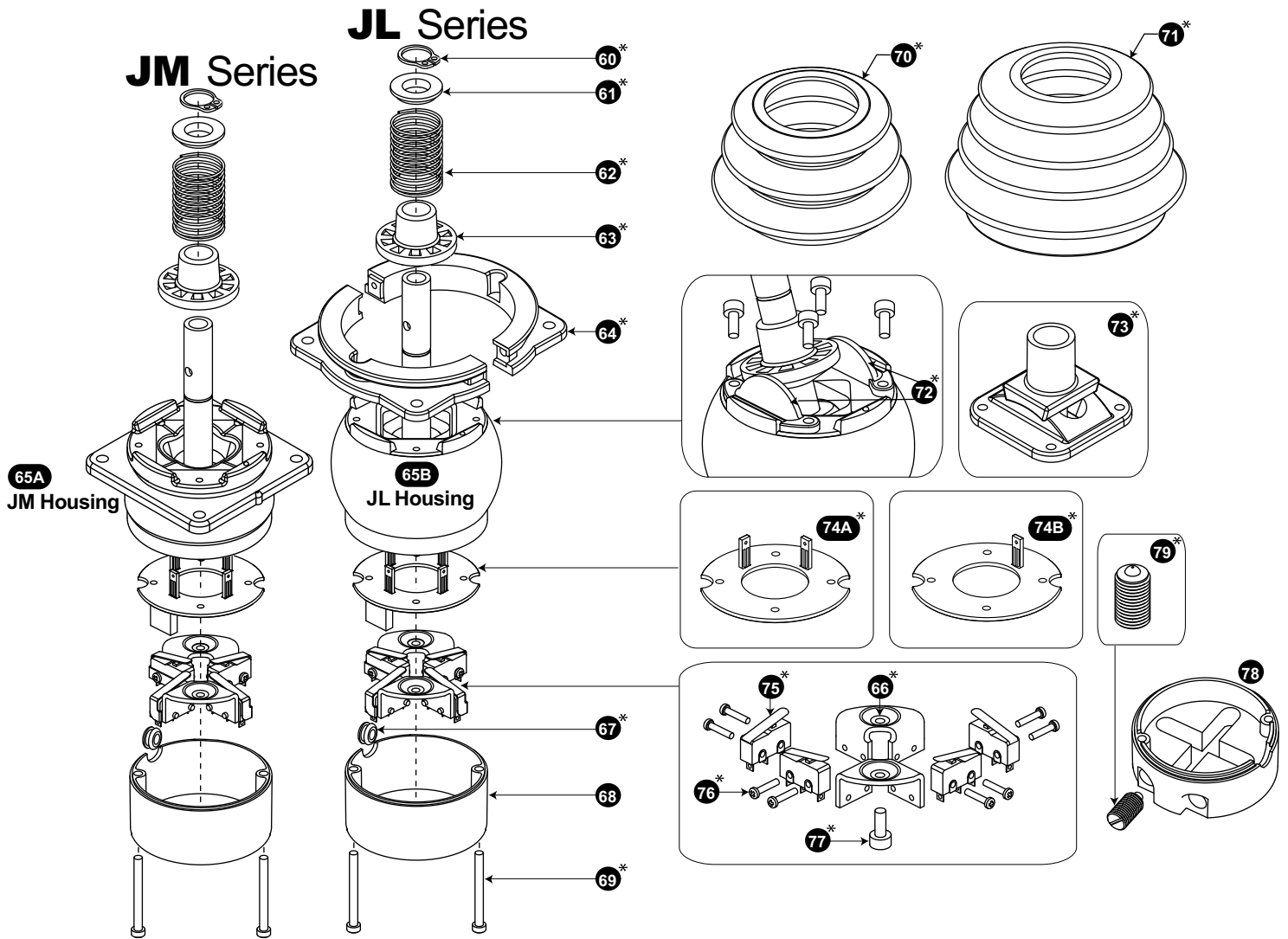
FLG	PART#	DESCRIPTION	FLG	PART#	DESCRIPTION
4	SW-00	Handle Switch, L/S	27	PB-2MA-A	Pushbutton Switch - Maintained C/W Boot
6A	SC-03	2 x 7/16" Tapping Screw - Pan Head	28	RK-02	Rocker Kit: 4 Low Profile Buttons
10	LS-00	Leaf Spring for Trigger	29	FB-VV-A	Flex Button Repair Kit: 2 VV/V2 Modules
11A	PN-05-385-A	Mounting pin, Clamping C/W .385" Bore	30	DP-03	Diode Pack Assy. 3 Functions
11B	PN-03	Mounting Pin "L/S"		DP-12	Diode Pack Assy. 12 Functions
14A	BU-03C-A	Mounting Adapter: 12 mm Clamping	31	WR-07	7 Cond. Wire, 20 Gauge/Foot
	BU-04C-A	Mounting Adapter: 14 mm Clamping		WR-09	9 Cond. Wire, 20 Gauge/Foot
14B	SR-01	Strain Relief: SS Bushing Adapter		WR-13	13 Cond. Wire, 22 Gauge/Foot
14C	BU-01S-A	Adapter Bushing - 10mm, Set Screws		WR-12S	12 Cond. Wire, 24 Gauge Shielded
14D	BU-00	Adapter Bushing - 1/4" Hole		WR-15	15 Cond. Wire, 22 Gauge/Foot
	BU-01	Adapter Bushing - 10mm x 1.5	32	HP-01	3/8" Hole Plug
	BU-02	Adapter Bushing - 12mm x 1.25	33A	AD-01	Joystick Boot Adapter: 1.125" Square Hole
	BU-03	Adapter Bushing - 12mm x 1.75	33B	AD-02	Boot Adapter: 1 1/2" Round Opening
	BU-04	Adapter Bushing - 14mm x 2	34A	ST-07	12mm x 1.75 x 40mm, Bent Stud
	BU-05	Adapter Bushing - 5/8" NC	34B	ST-05	12mm x 1.75 x 70mm Drilled, Bent Stud
	BU-06	Adapter Bushing - 14mm x 1.5	34C	ST-06	5/8"NC - 14mm x 85mm Wire Exit, Bent Stud
	BU-07	Adapter Bushing - 3/8" NC	34D	ST-02	14mm x 2.0 x 40mm Straight Stud
	BU-08	Adapter Bushing - 1/2" NC	34E	ST-08-125	J Handle Stud: 12mm x 1.25
	BU-09	Adapter Bushing - 9/16" NC		ST-08-175	J Handle Stud: 12mm x 1.75
	BU-10	Adapter Bushing - 12 x 1.5mm		ST-08-14x2	J Handle Stud: 14mm x 2
20	SK-01	Leaf Spring and Switch Kit			
21	LED-24G	LED Green 24 Volt - Resistor:1/4"			
22	SW-00S	Handle Switch, L/S Sealed			
	SW-00SG	Handle Switch, L/S Sealed Gold			
23	PC-V2	Variable Voltage Module 1-4 VDC			
24	TO-2MA-A	Toggle: 2 Pos Main SPDT C/W Boot			
25	TO-2MA-L	Toggle 2 Pos Main, SPDT Large Bat			
	TO-3MA-A	Toggle: 3 Pos Main SPDT C/W Boot			
	TO-3MA-L	Toggle: 3 Pos Main, SPDT Large Bat			
	TO-3MA,MO-A	Toggle: 3 Pos Main/mom SPDT C/W Boot			
26	PB-1MO	Pushbutton Switch/Cap - Momentary			

Joystick Parts List

#4-1413 McGill Road
Kamloops B.C. Canada V2C 6K7
Ph: (250) 374-2278

Fax: (250) 374-1099
Toll Free: 1-800-831-2278
www.suregripcontrols.com

SURE GRIP
CONTROLS INC.



↑ Used in Assy. Above

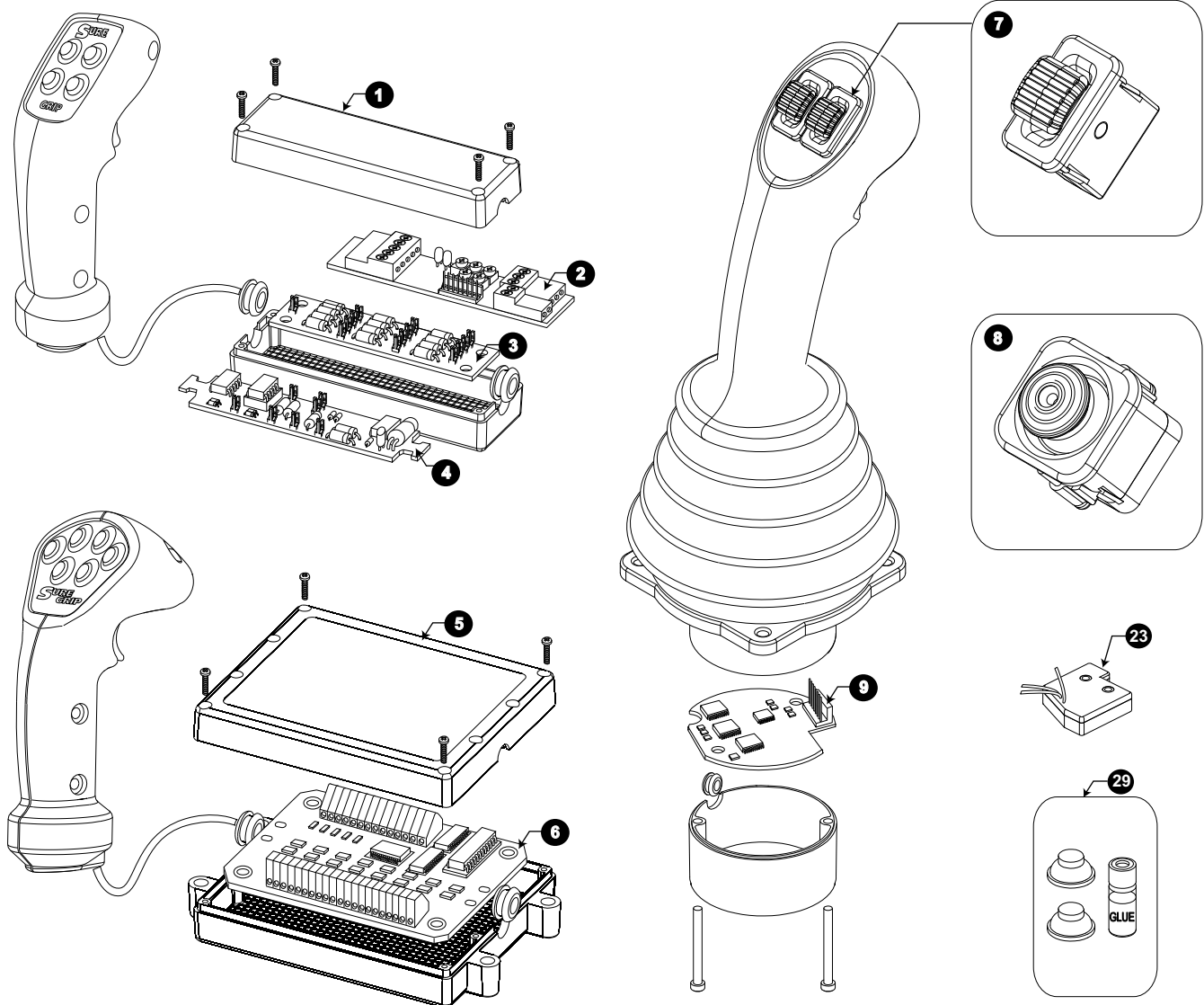
FLG	PART#	DESCRIPTION	FLG	PART#	DESCRIPTION
60	SC-31	JM/JL Joystick 12mm External Retaining Ring	70	BT-09	JM Joystick Boot
61	JL-111	JM/JL 12mm Spring Retainer	71	BT-08	JL Joystick Boot
62	SP-07	Spring: JM/JL Joystick	72	JL-107-A	Joystick: Single Axis Guide Kit
63	JL-108	JM/JL Joystick: Centering Shoe	73	FG-S1	Joystick Friction Guide Set
64	JL-109	JL Joystick: Adjustable Bracket	74A	JL-105-2X	JM/JL Joystick: Sensor Board, Dual Axis
65A	JM-110	JM Joystick: 12mm Shaft-Ball Assembly	74B	JL-105-1X	JM/JL Joystick: Sensor Board, Single Axis
	JM-103	↑ JM Joystick: Lower Housing (Included in Assy.)	75	SW-00L	Micro Switch c/w Lever, 5 amp
	SC-34	↑ 6-32 x 3/4" Flat Head Screw, Stainless (Included in Assy.)	76	SC-17	2-56 x 3/8 Machine Screw - Pan Head
	PN-3x16	↑ Pin: 3mm x 16mm (Included in Assy.)	77	SC-25	6-32 x 3/8" Socket Cap Screw, Stainless JL-107
68	JL-102	↑ JM Joystick: Housing Cover (Included in Assy.)	78	JL-102 Gated	JM/JL Gated Joystick Housing Cover
65B	JL-110	JL Joystick: 12mm Shaft-Ball Assembly	79	SC-43	↑ Spring Plunger: 3/8" x 5/8" High Force
	JL-103	↑ JL Joystick: Lower Housing (Included in Assy.)			
	SC-34	↑ 6-32 x 3/4" Flat Head Screw, Stainless (Included in Assy.)			
	PN-3x16	↑ Pin: 3mm x 16mm (Included in Assy.)			
68	JL-102	↑ JL Joystick: Housing Cover (Included in Assy.)			
66	JL-112	JM/JL Joystick Dual Switch bracket			
67	GR-01	3/8" x 1/4" Grommet			
69	SC-33	6-32 x 1.25" Cap Screw, Stainless			

Electronics Parts List

#4-1413 McGill Road
Kamloops B.C. Canada V2C 6K7
Ph: (250) 374-2278

Fax: (250) 374-1099
Toll Free: 1-800-831-2278
www.suregripcontrols.com

SURE GRIP
CONTROLS INC.



FLG	PART#	DESCRIPTION	FLG	PART#	DESCRIPTION
1	EN-01	Enclosure: 1.25" x 4" x 1" OD	8	MJS-P2	Micro Joystick
2	SDB-P1	Single Axis Driver Board	9	JDB-P2	Joystick Driver Board
3	DP-03	Diode Pack Assy. 3 Functions	23	PC-V2	Vairable Voltage Module 1-4 VDC
	DP-12	Diode Pack Assy. 12 Functions	29	FB-VV-A	Flex Button Repair Kit: 2 VV/V2 Modules
4	DFA-01/04	Danfoss Adapter Driver Board			
5	EN-02	Enclosure: 3.25" x 4" x 1" OD			
6	DBL-17	Logic Driver Board			
7	SM-P1-F	Slider Module: Single Axis Friction Maintained			
	SM-P1	Slider Module: Single Axis Proportional			
	SM-S1-MO	Slider Module: 3 Position Maintained			
	SM-S1-MA	Slider Module: 3 Position Momentary Maintained			